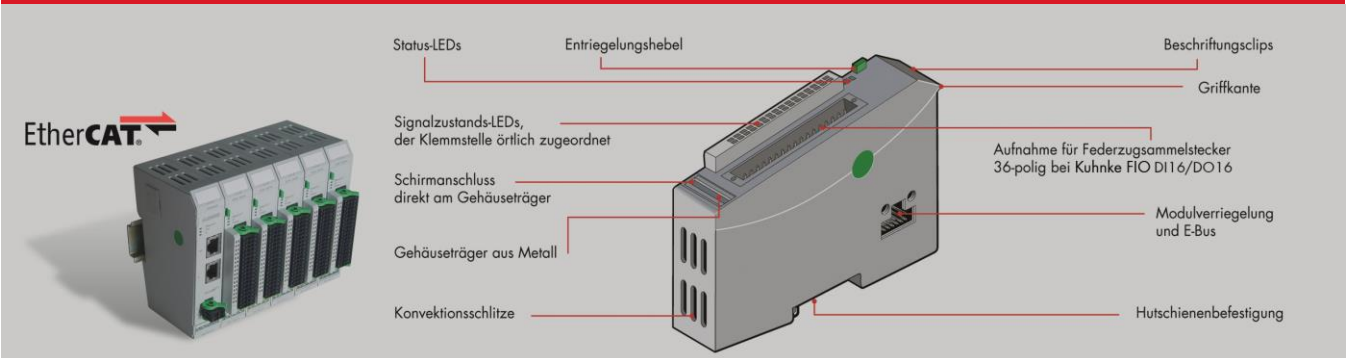


## Kuhnke FIO Communication

## Control Technology



### Technical Data

Type	EtherCAT Coupler		EtherCAT Extender	
Order no.	694 400 00		694 400 02	
Bus Interface RJ45	2 (In / Out)		2 (Out / Out)	
Bus Interface E-Bus	1 (Out)		2 (In / Out)	
Power supply	24 V DC		-	
Power supply E-Bus	3 A		-	
Type	EtherCAT RS485 1 Port	EtherCAT RS232 2 Port	EtherCAT CAN Master/Slave	
Order no.	694 455 02	694 455 04	694 455 06	
Interface	RS485 2400...115200 bit/s	RS232 2400...115200 bit/s	CAN 100...1000 kbit/s	
Connection	Spring- loaded plug with mechanical ejection			
Fieldbus	EtherCAT® 100 Mbit/s LVDS: E-Bus			
Mounting	35 mm DIN-Rail			
Indication	LED, assigned to the clamping point locally			
Shield connection	Directly at module			
I/O connection	Spring-loaded plug with mechanical ejection			
Ambience conditions	0° C...+55 °C, IP 20, Interference immunity Zone B per EN 61131-2			
Housing (W x H x D)	Aluminium, plastic 25 x 120 x 90 mm			
Certifications	CE, cULus			

We reserve the rights of modification, omission, error with respect to the products. Illustrations similar. All rights reserved by the individual copyright holders. EtherCAT® is registered trademark and patented technology, licensed by Beckhoff Automation GmbH, Germany. Safety over EtherCAT® is registered trademark and patented technology, licensed by Beckhoff Automation GmbH, Germany. Microsoft®, Windows® and the Windows® Logo are registered trademarks of Microsoft Corporation in the USA and other countries. At [www.plcopen.org](http://www.plcopen.org) you will find more information about PLCOpen Organisation. CODESYS is a product of 3S-Smart Software Solutions GmbH. CIA® and CANopen® are registered community trademarks of CAN in Automation e.V. . PROFINET® is a registered trademark of PROFIBUS and PROFINET International (PI).