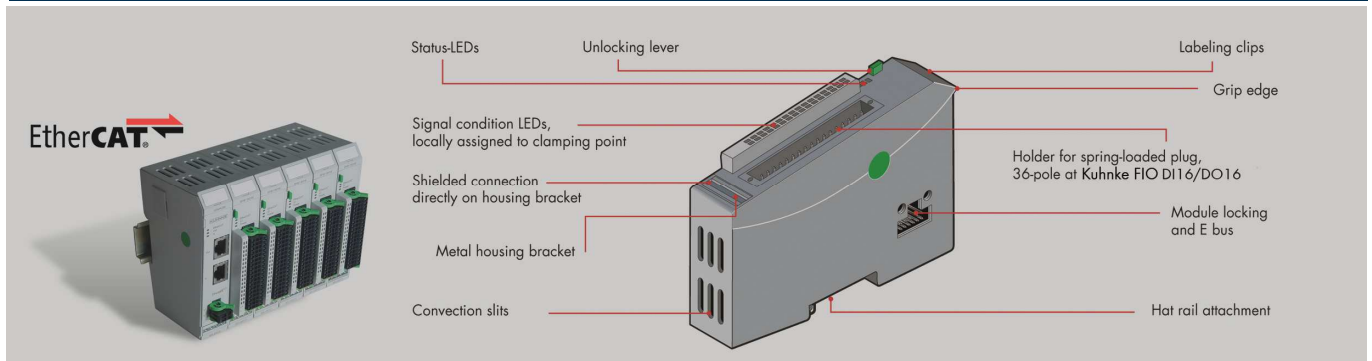


Kuhnke FIO analogue I/O's

Control Technology



Technical Data						
Type	Input modules				Output modules	
Order no.	694 441 01	694 441 02	694 441 03	694 441 04	694 442 02	
Channel/Type	4 / Current	4(8) / Voltage	8(16) / Voltage	8 / Current	4 / Current / Voltage	
Resolution	12 Bit	13 Bit	13 Bit	12 Bit	12 Bit	
Signal range Unipolar	0(4)...20 mA	0...10 V	0...10 V	0(4)...20 mA	0(4)...20 mA 0..10 V	
Signal range Bipolar		-10...+10 V	-10...+10 V		-10..+ 10 V	
Type	Temperature input modules					
Order no.	694 443 01	694 443 02	694 443 03	694 443 04	694 443 05	694 443 06
Channel/Type	4 / PT100 / Ni100	8 / PT100 / Ni100	4 / PT1000 / Ni1000	8 / PT1000 / Ni1000	4 Thermo Typ K	8 Thermo Typ K
Resolution	16 Bit	16 Bit	16 Bit	16 Bit	16 Bit	16 Bit
Fieldbus	EtherCAT® 100 Mbit/s LVDS: E-Bus					
Mounting	35 mm DIN-Rail					
Indication	LED, assigned to the clamping point locally					
Shield connection	Directly at module					
I/O connection	Spring-loaded plug with mechanical ejection					
Ambience conditions	0 °C...+55 °C, IP 20, Interference immunity Zone B acc. EN61131-2					
Housing (W x H x D)	Aluminium, plastic, 25 x 120 x 90 mm					
Certifications	CE, cULus					

We reserve the rights of modification, omission, error with respect to the products. Illustrations similar. All rights reserved by the individual copyright holders. EtherCAT® is registered trademark and patented technology, licensed by Beckhoff Automation GmbH, Germany. Safety over EtherCAT® is registered trademark and patented technology, licensed by Beckhoff Automation GmbH, Germany. Microsoft®, Windows® and the Windows® Logo are registered trademarks of Microsoft Corporation in the USA and other countries. At www.plcopen.org you will find more information about PLCopen Organisation. CIA® and CANopen® are registered community trademarks of CAN in Automation e.V.